



百欧机械
BYO General machinery

BYO

General Machinery



Company Introduction

Shenyang BYO General Machinery Co., Ltd. located in Liaoning Province Shenyang City, the cradle of Chinese Industry.

The company integrates casting, heat treatment, mechanical processing, and product assembly. Mainly engaged in mining equipment, metallurgical equipment, general equipment, and related spare parts, customized design and production can also be carried out according to customer requirements.

The company, with its strong technical strength and large, precise processing equipment, ensures the manufacturing of high-grade mechanical products Request; A complete quality assurance system and comprehensive testing methods ensure stable and excellent product quality.



Production Capacity



ZC006 CNC Mobile Swing Arm Type
Drilling and Milling Machine

FT630*200/150-NC
Heavy-duty Floor-mounted Horizontal



CNC Gantry Flexible Manufacturing
System

GMFB2580FPT CNC Gantry End Beam
processing Machine



Production Capacity



DVTM1600*55/400L-NC CNC
Double-column Vertical Turning and Milling
Machine

VMC13008 Vertical Machining center



1000L 5M CNC Hobbing Machine

XKA2850*180 CNC Movable Planner Boring
& Milling Machine



Production Capacity



MKD84100/H CNC Roll grinder

XK2130*80 CNC Beam-movable Planner
Boring & Milling Machine



Large-scale Car Tape Gas Heating Furnace



Take off the trolley furnace



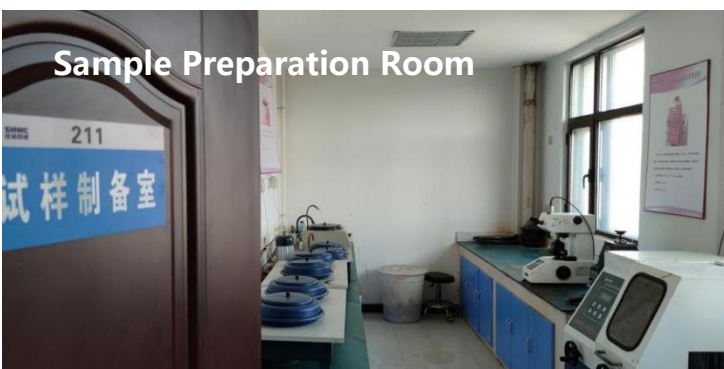
3 ton and 5ton Intermediate Frequency Furnace



Heat treatment furnace



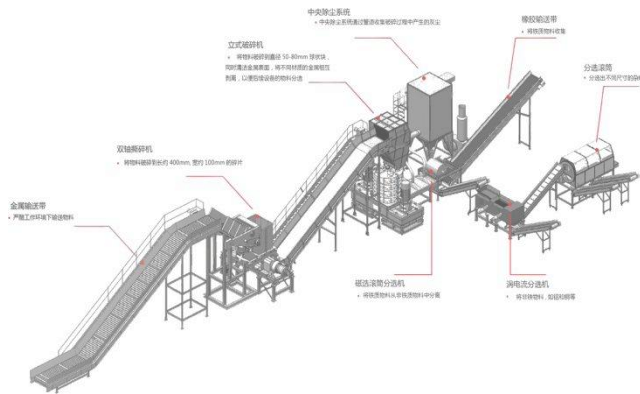
Inspection Equipment



Tensile testing machine



Mining Equipment



Vibrating Screen



Crusher

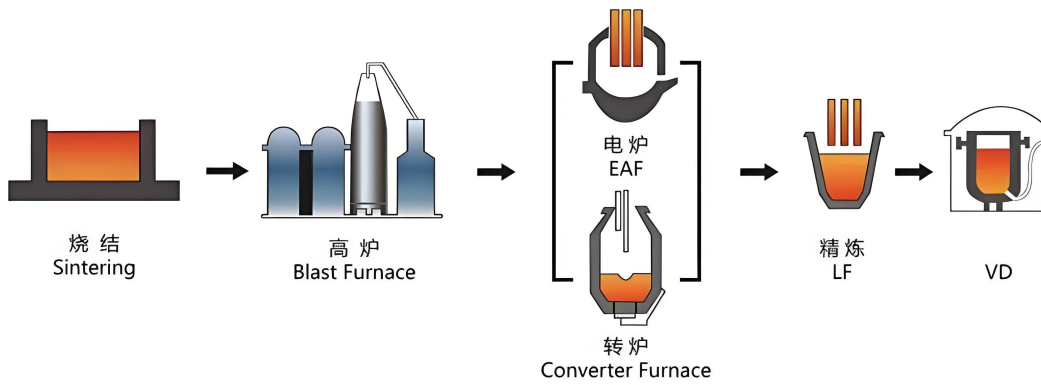


Reducer

Ball Mill



Iron & Steel Making



120t Converter Reducer



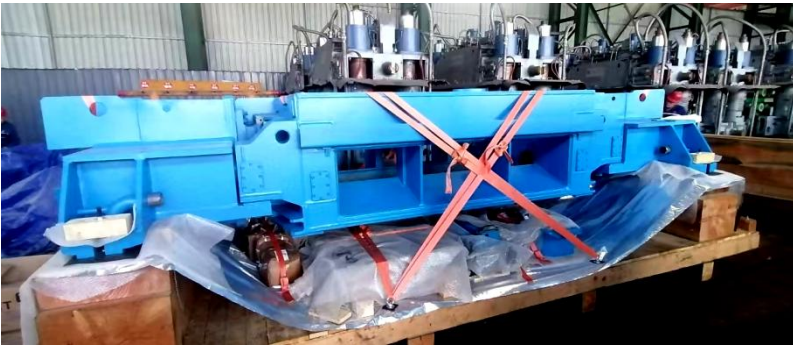
210t Converter Reducer



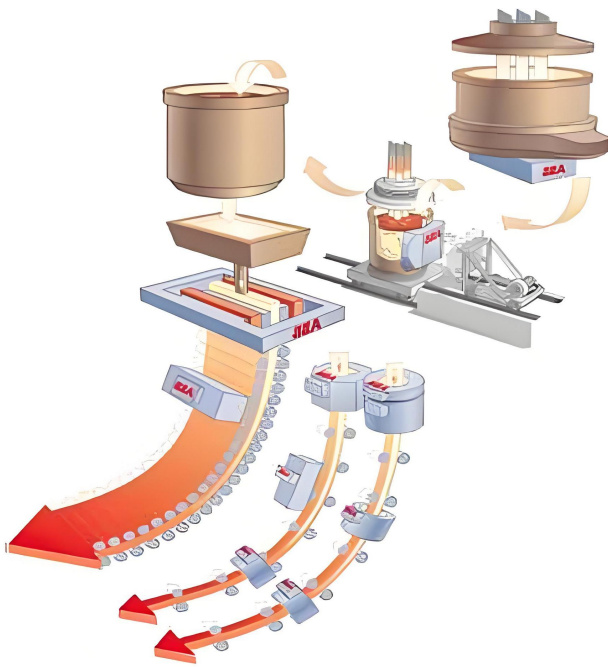
Water-cooled Vault



Continuous Casting Equipment



Crystallizer Frame



Crystallizer Copper Tube



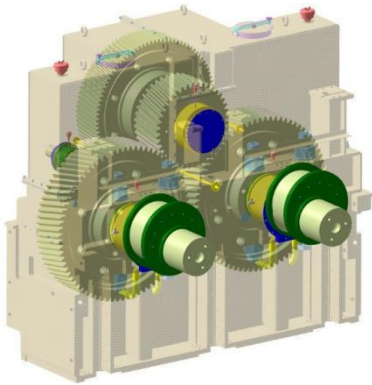
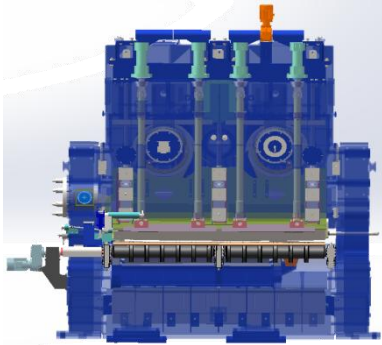
Segments



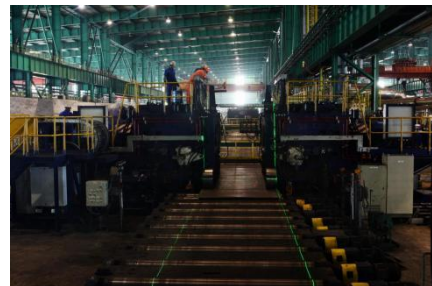
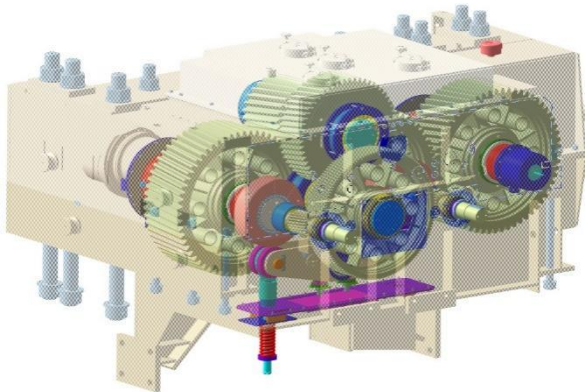
Guiding Rod



Steel Rolling Equipment



Dividing Shear

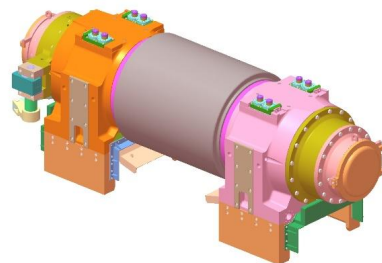
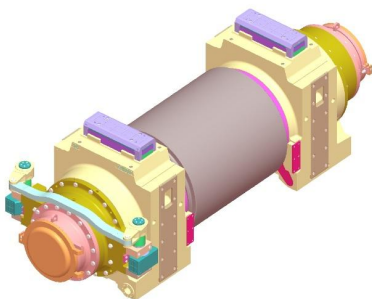
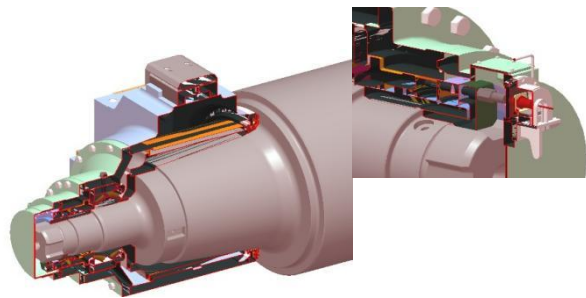
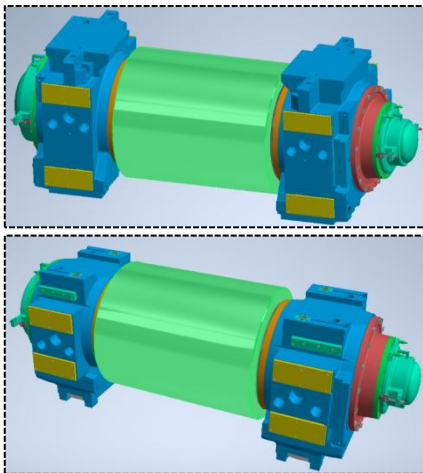
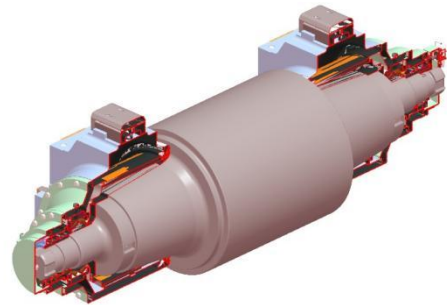
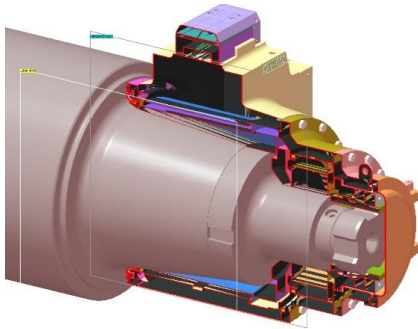


Roll Cut Double-sided Shear Gearbox



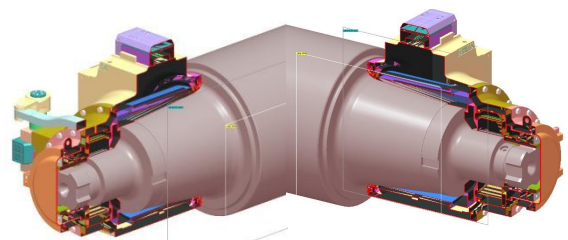
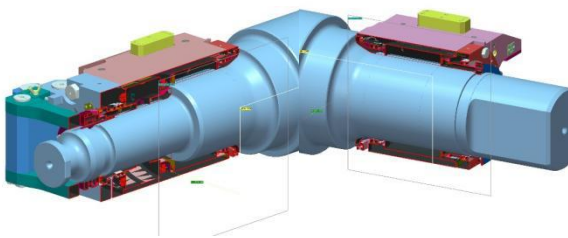
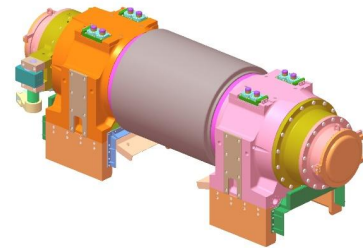
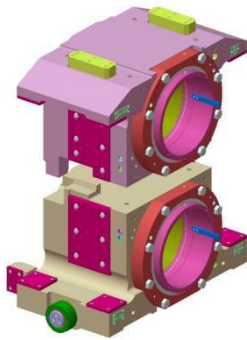
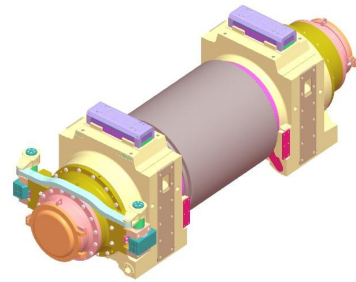
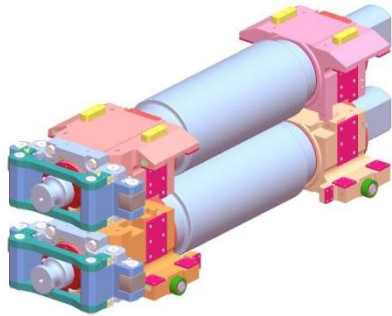
Steel Rolling Equipment

Work Roll&Backup Roll



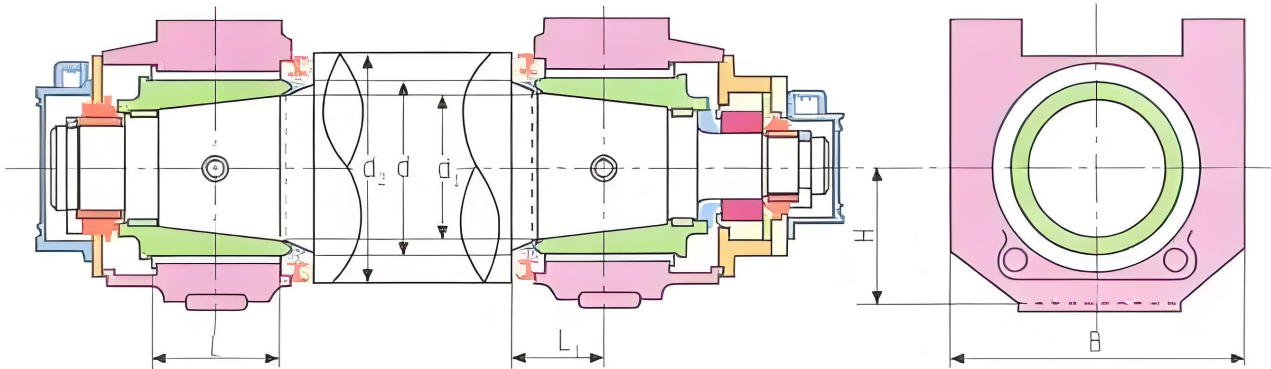
Steel Rolling Equipment

Work Roll&Backup Roll



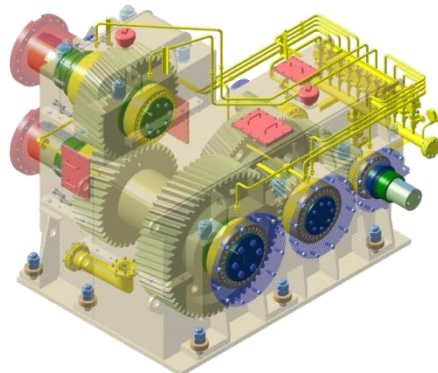
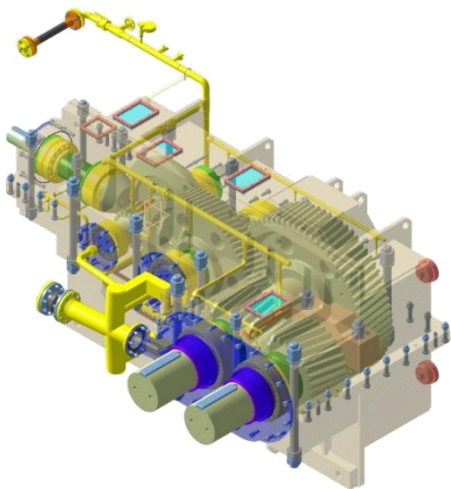
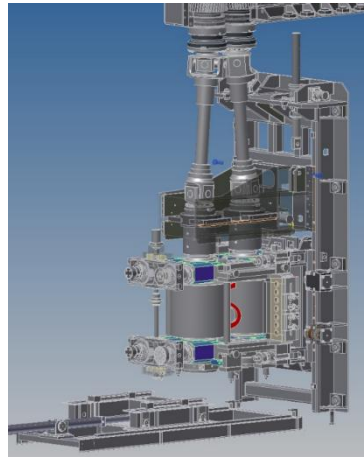
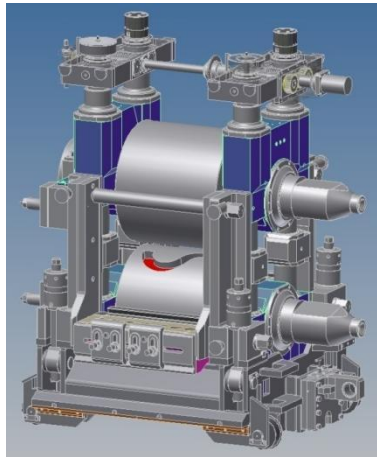
Steel Rolling Equipment

Oil Film Bearing



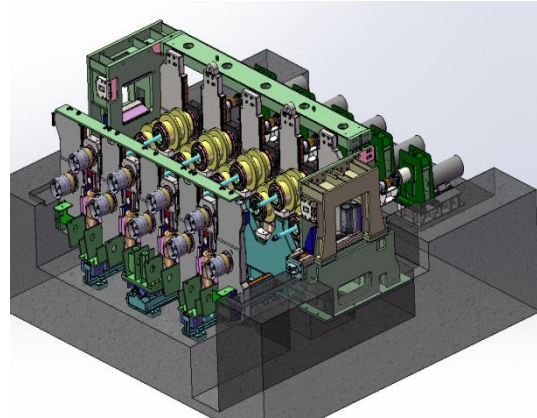
Steel Rolling Equipment

Short-stress-path rolling mill



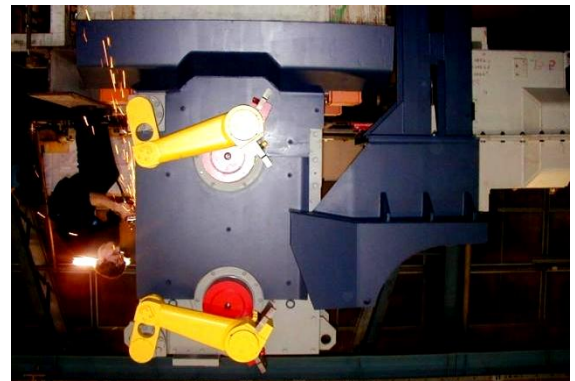
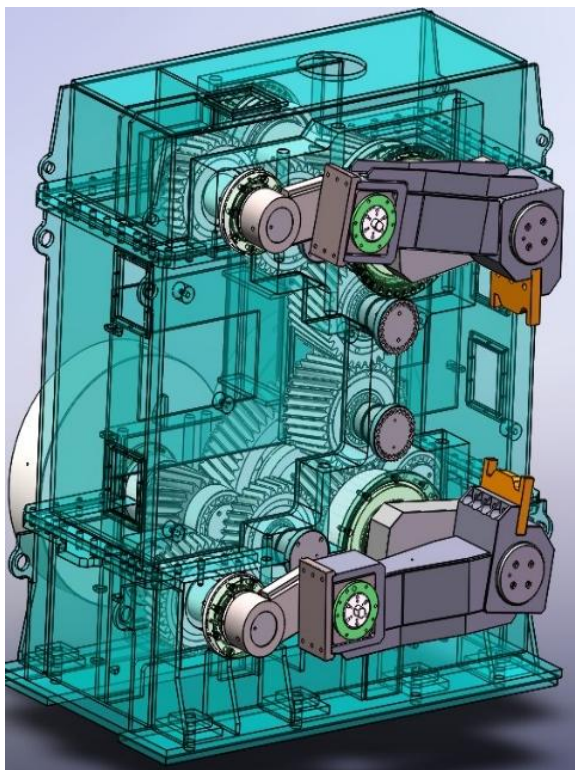
Steel Rolling Equipment

Roll Straightening Machine



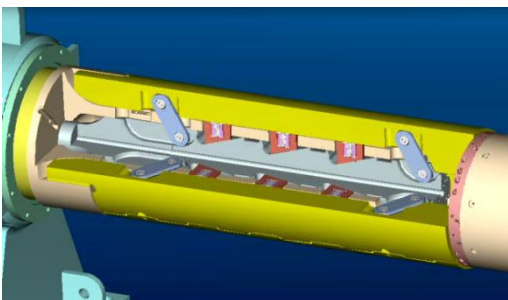
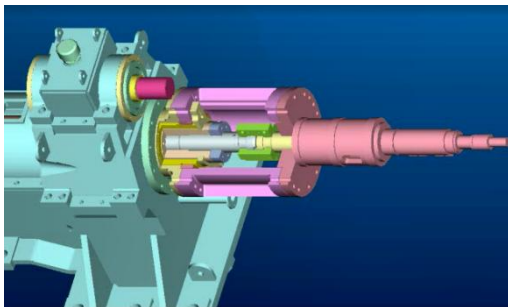
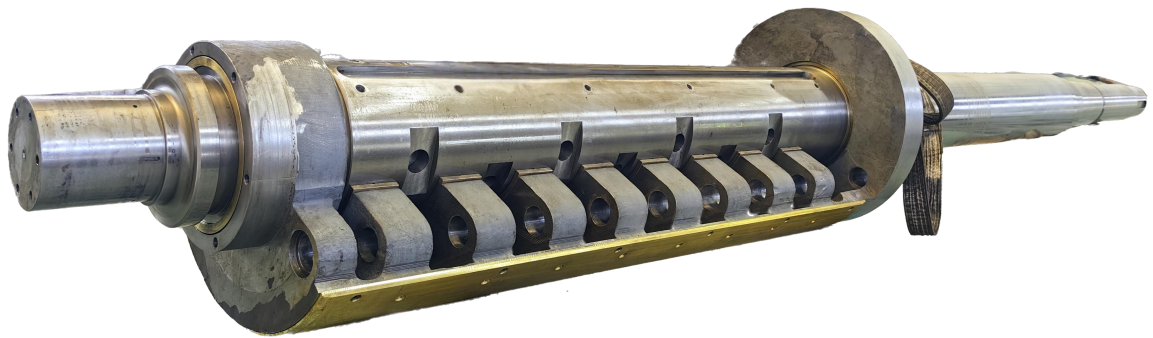
Steel Rolling Equipment

Flying Scissors



Steel Rolling Equipment

Curl



BRAND YOUR OWN

www.byogm.com

Steel Rolling Equipment

Seamless Steel Tube

Sizing Mill



Ejector Pin



Ejector Pin head



Mining&Metallurgical Spare Parts

Hydraulic Cylinder



Mining&Metallurgical Spare Parts

Roll



BRAND YOUR OWN

www.byogm.com

Mining&Metallurgical Spare Parts

Mining Spare Parts



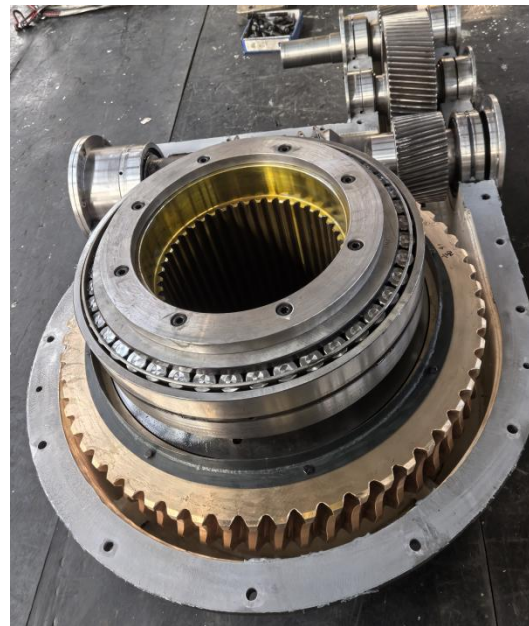
Mining&Metallurgical Spare Parts

Conveyor Equipment



Mining&Metallurgical Spare Parts

Gear



Mining&Metallurgical Spare Parts

Axis



BRAND YOUR OWN

www.byogm.com

Shenyang BYO General Machinery Co., Ltd.

Address: Room 426, 4th Floor, Block C, No. 8 Zhongde
Street, Shenyang Economic and Technological
Development Zone, Shenyang, Liaoning Province

E-mail: pinky007@sybyo.cn

www.byogm.com